

EDCON-COMPONENTS

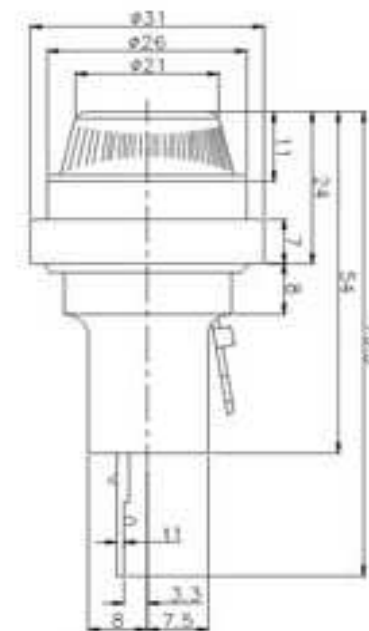


Technical Discription

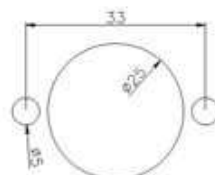
Drawing

EDCON-COMPONENTS Fuse Holders features for easy removal, clearly printed / imprinted "FUSE" for easy panel identification and keyed mounting hole requirement for anti rotation safety. All fuse holders include mounting washer and solder lugs for wiring.

Rated Current	30A / 250VAC
Insulation Resistance at 500VDC	>1000MΩ Min.
Contact Resistance	<5mΩ @ 1A DC
Dielectric Strength for 60seconds	>AC3000V / 60°
Material Contact:	CuZn37 + Ni+Sn
Terminal	Soldering Terminal
Material Body:	PC UL 94V0



Panel Layout



Approvals

**Panel Mount Fuse Holder
for 6,3x32mm**

Part No.: **R54055**

Customer:

DRW:	Jason	CHKD	Wilson	MATL:	Wilson	TOLERANCE	Mason	DATE	30.11.2012
APPD:	Schumi			FINISH	Jamy		Sheet No.		1 from 2

EDCON-COMPONENTS



Ordering Informations

Serie	Range	No function	ROHS	Packing						
-------	-------	-------------	------	---------	--	--	--	--	--	--

R54055	-	F	X	R	BU					
---------------	---	----------	----------	----------	-----------	--	--	--	--	--

F= 30A		R= ROHS Conform	BU= Bulk-Ware
			IV= Individual Package

**Panel Mount Fuse Holder
for 6,3x32mm**

Part No.: **R54055**

Customer:

DRW:	Jason	CHKD	Wilson	MATL:	Wilson	TOLERANCE	Mason	DATE	30.11.2012
APPD:	Schumi			FINISH	Jamy			Sheet No.	2 from 2